

# KLAD™

## LUXURY LEATHER WALLS

### SPECIFICATIONS

Our KLAD™ Luxury Leather Walls offers designers an exciting design dimension to create leather walls. Designs are precision cut to specified dimensions using any of Keleen's exceptional leathers as the surface material. This is the only leather wall system able to be trimmed on-site for a perfect fit every time.



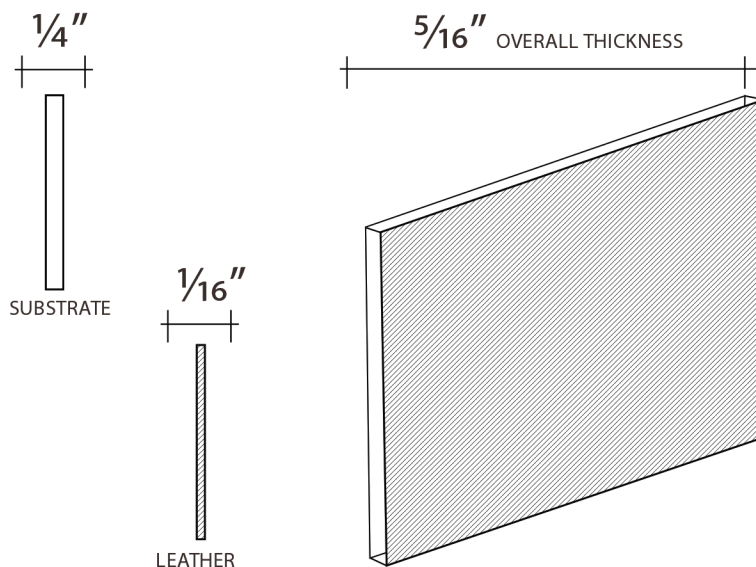
#### TECHNICALS

- Thickness: 3/8"
- Face Material Weight: 3 oz. sq. ft.
- Backing Weight: 8 oz. sq. ft.
- Anti Microbial Backing
- ASTM 662 Smoke Chamber Test: PASS
- Moisture Resistant: 98%
- Sound Control Test: NC 63
- Sound Absorption: NRC 35
- Thermal R Factor: 0.34
- Thermal K Factor: 0.73

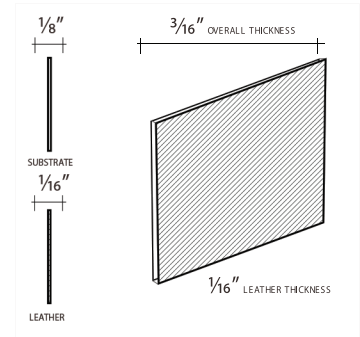
\* LEATHER WEIGHTS MAY VARY SLIGHTLY

Tile sizes are determined and provided by the designer within our capabilities.

#### STANDARD TILE MEASUREMENTS



#### OPTIONAL THIN TILE



keleen  leathers